



Anglesey™

Top spud flushometer bowl
K-4386

Features

- Vitreous china.
- Elongated bowl offers added room and comfort.
- Angle back and wall outlet.
- 1½" (38 mm) top spud.
- 2-3/8" (60 mm) passageway.
- 11" (279 mm) x 9-1/2" (241 mm) water area.
- 4-1/2" (114 mm) rough-in.
- 1.6 gpf (6.0 lpf)

Included Components

Additional Components:

- Bolt cap accessory pack
- Floor screws (pair)
- Spud



Codes/Standards

ASME A112.19.2/CSA B45.1
DOE - Energy Policy Act 1992


KOHLER® One-Year Limited Warranty

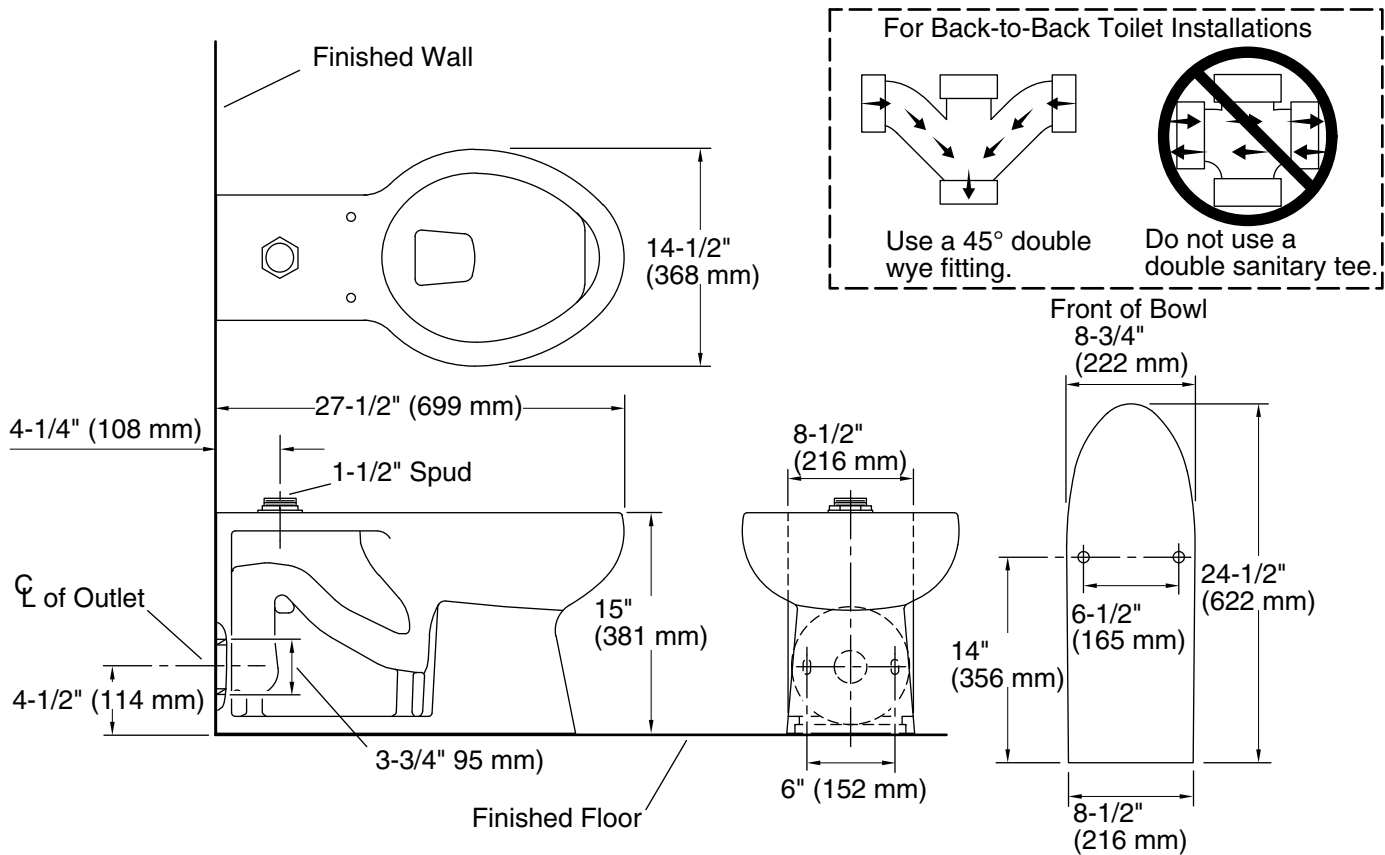
See website for detailed warranty information.

Available Colors/Finishes

Color tiles intended for reference only.

| Color | Code | Description |
|-------|------|-------------|
|-------|------|-------------|

| | | |
|---|---|-------|
|  | 0 | White |
|---|---|-------|



Technical Information

All product dimensions are nominal.

| | |
|-----------------------|--------------------------------|
| Toilet type: | One-piece, Floor-mount |
| Waste Outlet: | Wall |
| Bowl shape: | Elongated |
| Spud size: | 1-1/2", Inlet, Top |
| Trap passageway: | 2-1/2" (63 mm) |
| Water Consumption | |
| Full: | 1.6 gpf (6 lpf) |
| Water surface size: | 11" x 9-1/2" (279 mm x 241 mm) |
| Rim to water surface: | 5-1/4" (133 mm) |
| Rough-in: | 4-1/2" (114 mm) |
| Seat-mounting holes: | 5-1/2" (140 mm) |

Fixture Supply Requirements

| | |
|-----------------------|--------------------|
| Min static pressure: | 35 psi (241.3 kPa) |
| Max static pressure: | 80 psi (551.6 kPa) |
| Min flowing pressure: | 25 psi (172.4 kPa) |
| Min flow rate: | 25 gpm (94.6 lpm) |

Notes

Install this product according to the installation instructions.

Refer to manufacturer's instructions and local codes for flushometer requirements.

For back-to-back toilet installations: Use only a 45° double wye fitting.